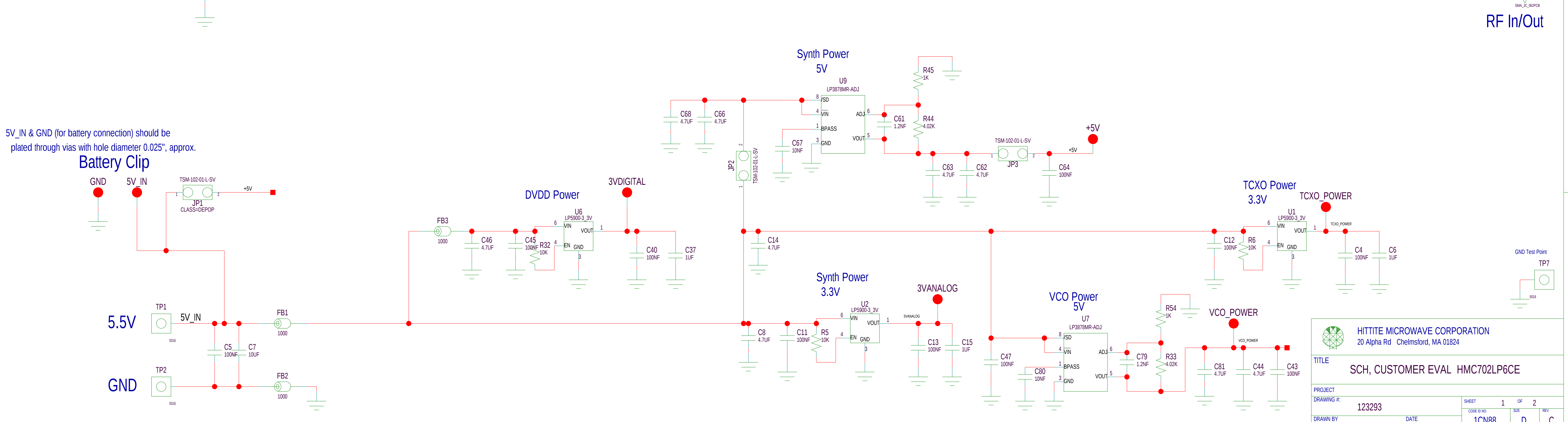
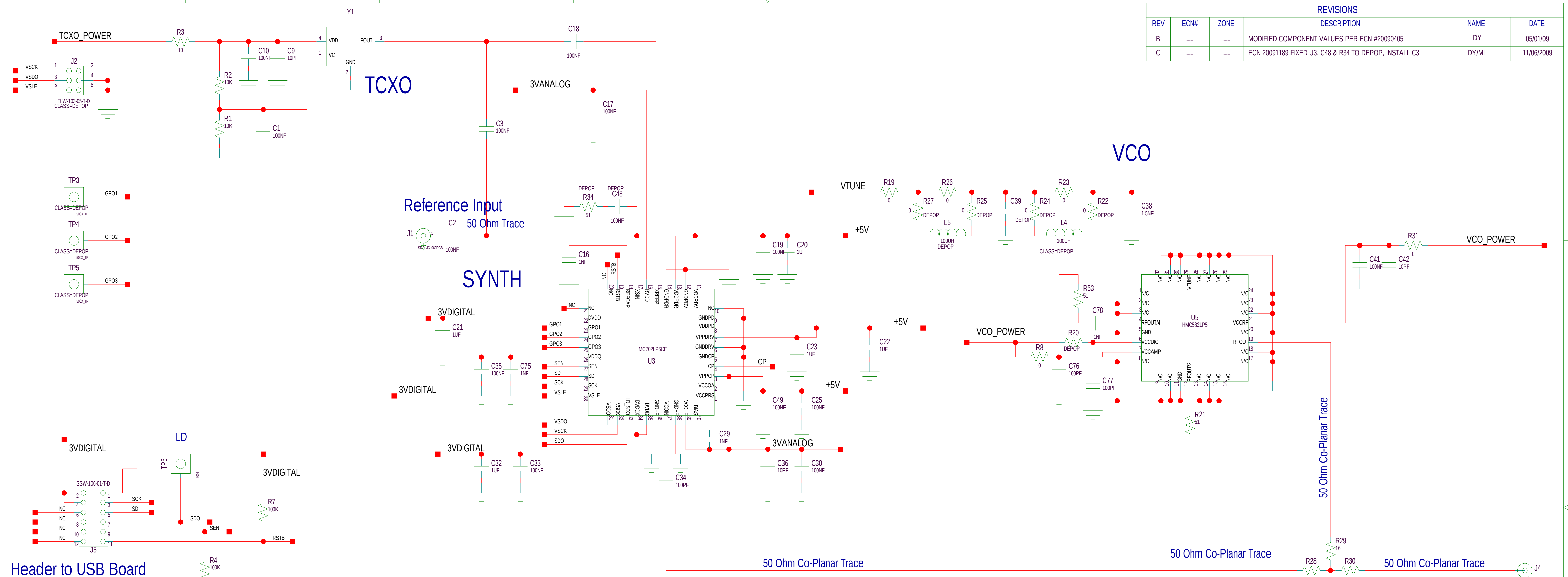


REVISIONS					
REV	ECN#	ZONE	DESCRIPTION	NAME	DATE
B	.....	.....	MODIFIED COMPONENT VALUES PER ECN #20090405	DY	05/01/09
C	.....	.....	ECN 20091189 FIXED U3, C48 & R34 TO DEPOP, INSTALL C3	DY/ML	11/06/2009



NOTICE OF PROPRIETARY PROPERTY: THIS DOCUMENT AND THE INFORMATION CONTAINED IN IT ARE THE PROPRIETARY PROPERTY OF HITITE MICROWAVE CORPORATION. IT MAY NOT BE COPIED OR USED IN ANY MANNER NOR MAY ANY OF THE INFORMATION IN OR UPON IT BE USED FOR ANY PURPOSE WITHOUT THE EXPRESSED WRITTEN CONSENT OF AN AUTHORIZED AGENT OF HITITE MICROWAVE CORPORATION.

**HITITE MICROWAVE CORPORATION**  
 20 Alpha Rd Chelmsford, MA 01824

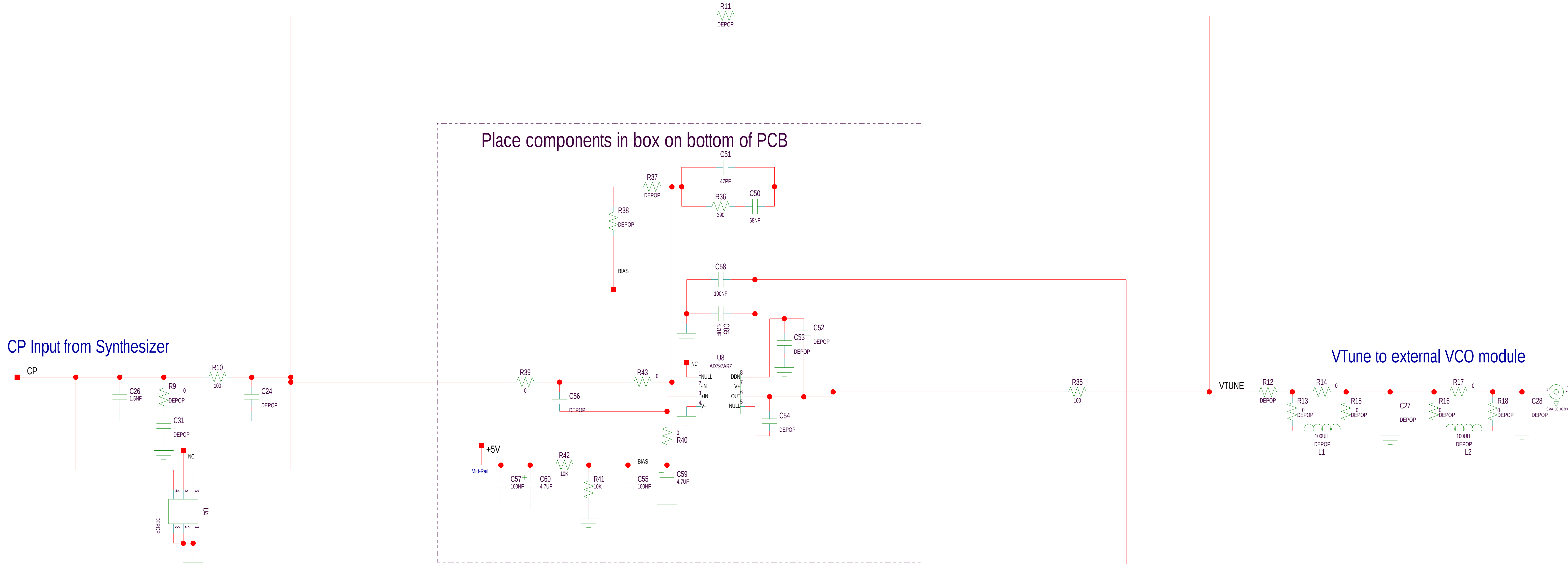
**TITLE**  
 SCH, CUSTOMER EVAL HMC702LP6CE

PROJECT: 123293  
 DRAWING #: 1C N88  
 DRAWN BY: DY  
 DATE: 08/09/07

SHEET: 1 OF 2  
 CODE ID NO.: 1C N88  
 SIZE: D  
 REV: C

11-6-2009\_14:09

### Active Op-Amp Loop Filter



Place components in box on bottom of PCB

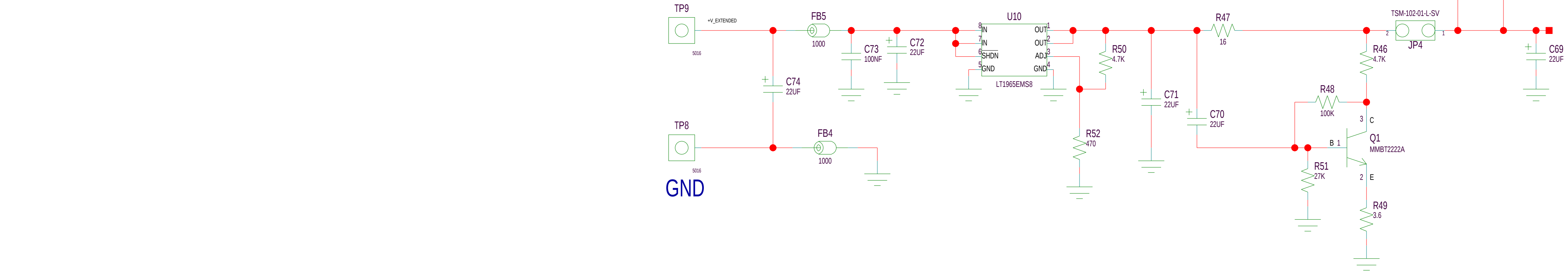
### CP Input from Synthesizer

### VTune to external VCO module

+9VBattery & GND (for battery connection) should be plated through vias with hole diameter 0.025", approx.

### Battery Clip

### +15V to +18V



<b>HITTITE MICROWAVE CORPORATION</b> 20 Alpha Rd Chelmsford, MA 01824	
<b>TITLE</b> CUSTOMER EVAL HMC702LP6CE	
<b>PROJECT</b> DRAWING #: 123293	SHEET 2 OF 2 CODE ID NO. 1CN88 SIZE D DATE 08/09/07
DRAWN BY DY	REV C 11-6-2009_14:09